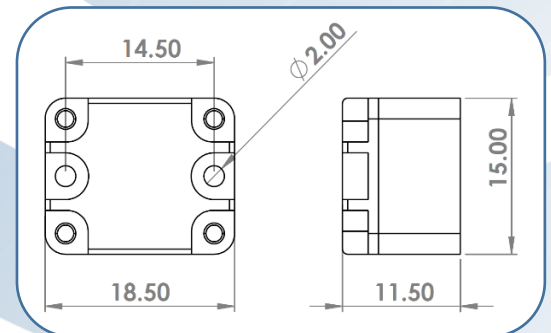
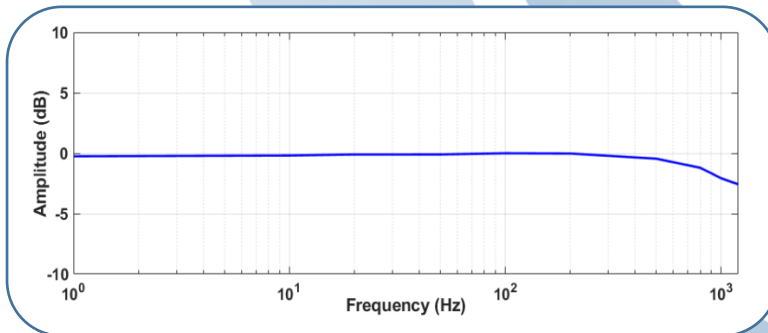


USB Accelerometers

DPS 3xx, series of USB output accelerometers based on MEMS technology, are useful sensors for fast and accurate vibration measurement. Internal data acquisition system makes it a cost effective and simple solution for industrial and research applications.

Supporting Windows operating system allows users to form their own PC, Tablet or Laptop to a vibration measurement and analyzer system. Moreover, since it has an open source software in NI LabVIEW and MATLAB/Simulink, users can develop the software according to application requirements.



Specification	Unit	Model			
		DPS 345	DPS 375	DPS 355	DPS 357
Measurement Directions	---	X, Y, Z			
Measurement Range	g	± 2/4/8/16	± 200	± 2/4/8	± 10/20/40
Frequency Range (± 3dB)	Hz	0 ~ 1000			
Output Data Rate (± 2%)	Hz	3200	3200	4000	4000
Sensitivity (on lower range)	Counts/g	256	20.48	256000	51200
Effective Number of Bits	---	10.5	10.5	12	12
Broadband Resolution (RMS Noise, 1~1000 Hz)	g	0.010 (All ranges)	0.125	< 0.001 (2g range)	< 0.004 (10g range)
Mounted Resonance Frequency	Hz	> 5000			
Non-Linearity	%	± 0.5	± 0.25	± 0.1	± 0.1
Transverse Sensitivity	%	< 5			
Operating Temperature	°C	-20 ~ +70			
Storage Temperature	°C	-40 ~ +85			
Temperature Sensitivity	% / °C	± 0.01	± 0.02	± 0.01	± 0.01
Output	---	USB 2.0			
Power Consumption	mA @ 5VDC	< 15			
Cable Length	M	0.9 m Integral Cable, (Extendable up to 30 m by USB ext.)			
Size	mm	Max. 19(L) × 15(W) × 13(H)			
Weight (without cable)	gr	Max. 8			
Case Material	---	Hard Anodized Aluminum			
Case Sealing	---	Epoxy Resin			
Mounting	---	2 × Ø2 mm			
IP Rating	---	IP 65			