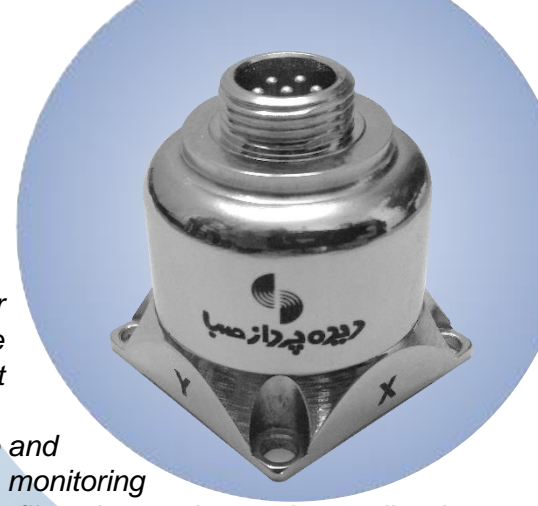
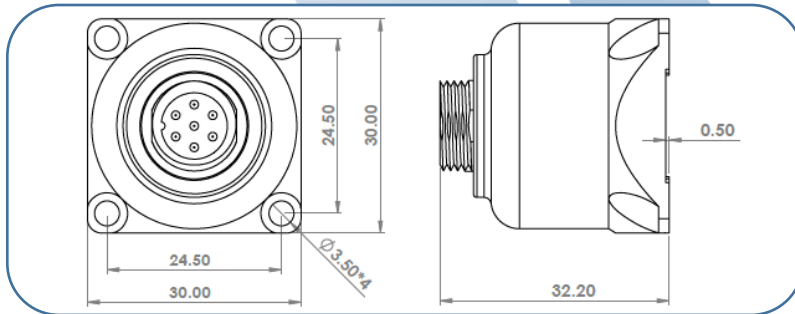



VibNode Accelerometers



VibNode 354/356 is a complete vibration monitoring and protection sensor compliance with **ISO-10816** standard. Thanks to low noise and wide temperature tri-axial **MEMS** accelerometers, accurate vibration measurement over a chain network topology is possible.

Special specifications such as long cable length, wide power supply range and large number of nodes, make it the best choice for network-based condition monitoring and fault diagnostics. Internal processing techniques such as band pass filter, integration and overall value calculation according to **ISO-10816**, eliminate any external processing unit. Therefore, the sensor can be directly connected to standard **PLC** or **HMI** devices through **PROFIBUS** or **MODBUS** protocols. This sensor can be employed in standalone applications by using fully configurable analog and digital outputs.





Pin Assignment

- 1: GND
- 2: D +
- 3: D -
- 4: Analog / Digital Out
- 5: Analog / Digital Out
- 6: Analog / Digital Out
- 7: +15 ~ 30 VDC

Specification	Unit	Model	
		VibNode 354	VibNode 356
Measurement Directions	---	X, Y, Z	
Measurement Range	g	± 2/4/8	± 10/20/40
Minimum Frequency	Hz	2, 5, 10	
Maximum Frequency (-3dB)	Hz	1000	
Time Block	Sec	0.5	
Sensitivity (on lower range)	Counts/g	14563	2913
ADC Resolution	bits	16	
Noise Density (on lower range)	$\mu\text{g}/\sqrt{\text{Hz}}$	20	80
Broadband Resolution	g	0.0008	0.003
Mounted Resonance Frequency	Hz	> 5000	
Non-Linearity	%	0.1	
Transverse Sensitivity	%	< 5	
Operating Temperature	°C	-20 ~ +70	
Storage Temperature	°C	-40 ~ +85	
Temperature Sensitivity	% / °C	± 0.01	
Electrical Output	---	RS485	
Output Protocol	---	MODBUS	
Output Quantity	---	Acceleration / Velocity	
Processing Techniques	---	Bandpass filter, Integration, RMS	
Analog Output (Optional)	---	3 channels, 0~10 V	
Digital Output (Optional)	---	3 channels, open collector to 30 V, max. 100 mA	
Maximum Cable Length	m	1200	
Maximum No. of nodes	---	250	
Power Supply	VDC	15 ~ 30	
Power Consumption	mA @ 24 VDC	25	
Size	mm	30(L) × 30(W) × 33(H)	
Weight	gr	80	
Case Material	---	Stainless Steel	
Mounting	---	4 × Ø3.5 mm	
IP Rating	---	IP 65	